

Penguin Robot Kit

(Red #27313)

(Blue #27314)

(Clear #27315)

(Black #27316)

The Penguin Robot is a precision-machined 4" tall biped. The Penguin walks forward with a tilt-stride action and turns by sweeping both feet on the ground in opposite directions. Individual movement segments are linked together for this robot to walk. This basic biped design functions best in the Penguin's small scale. The Penguin mechanics have a close-tolerance fit and are designed to provide precise electronic control.



The Penguin's microcontroller is an embedded BASIC Stamp2px24 module, the fastest and most powerful BASIC Stamp microcontroller model in the Parallax lineup. The Penguin requires three hours to assemble, after which it is a PBASIC programming challenge to exploit all of the robot's capabilities.



Note: This document is for Penguin Robots Rev A or Rev B.

If your robot has a "REV B" label near the 7-segment display on the PCB, please look out for assembly instruction differences specific to Rev B.

(Note that Penguin Robots Rev A are not labeled.)



Table of Contents

1.0 Introduction.....	2
1.1. Audience	2
1.2. Features	2
1.3. System and Software Requirements:.....	3
1.4. Bill of Materials	3
1.5. Body Kit Mechanical Drawings	4
2.0 Assembly.....	5
2.1. Tools Required	5
2.2. Assembly Instructions	5
2.3. Mechanical Troubleshooting Guide.....	17
3.0 Programming the Penguin	18
3.1. Programming Concept.....	18
3.2. Servo Calibration.....	18
3.3. Penguin's BASIC Stamp 2px24 Pinout	18
3.4. Example Programs	19
3.5. Optional Compass Calibration	19
3.6. Other Helpful Documentation	19
3.7. Test Code Listings	20
4.0 Electronics	23
4.1. CR123 Batteries.....	23
4.2. Schematic.....	23

1.0 INTRODUCTION

1.1. AUDIENCE

The Penguin isn't a beginner's robot. The Penguin is a small desktop robot, not intended for long-distance adventuring. The Penguin's electronics are fully assembled and wired to an assortment of I/O devices. Additionally, it has a fairly complex programming process which is more difficult to understand than a two-wheeled robot. For example, Penguin's walking steps must be linked and the compass sensor must be calibrated. For these reasons we recommend this robot for the hobby robotics enthusiast or collector who has an extended interest in PBASIC programming.

1.2. FEATURES

- BS2px24 module chipset
- CNC-machined 6061 aluminum parts available in four color schemes
- (2) micro servos
- Hitachi HM55B Digital Compass sensor
- Blue seven-segment LED for feedback
- (2) photoresistors
- (2) infrared emitters and one detector
- Piezospeaker in body, underneath battery pack
- 3-position power switch located adjacent to battery pack
- FTDI 232RL mini USB programming port
- (2) CR123 batteries for 6V power supply
- Orange power indicator LED
- (2) expansion I/O ports, with Vss and Vdd header for Ping))) distance sensor or RF modules

1.3. SYSTEM AND SOFTWARE REQUIREMENTS:

- PC running Windows XP/Vista, with an available USB port
- BASIC Stamp Editor Software v 2.3 or higher - download from www.parallax.com/downloads.
- USB VCP Drivers - these can be installed automatically via the BASIC Stamp Editor v2.3 installer, or you may download the latest version separately from link on www.parallax.com home page.
- Penguin Test and Sample Programs - test programs are included in this document; all programs listed may be downloaded as .bpx files from Penguin product page at www.parallax.com.

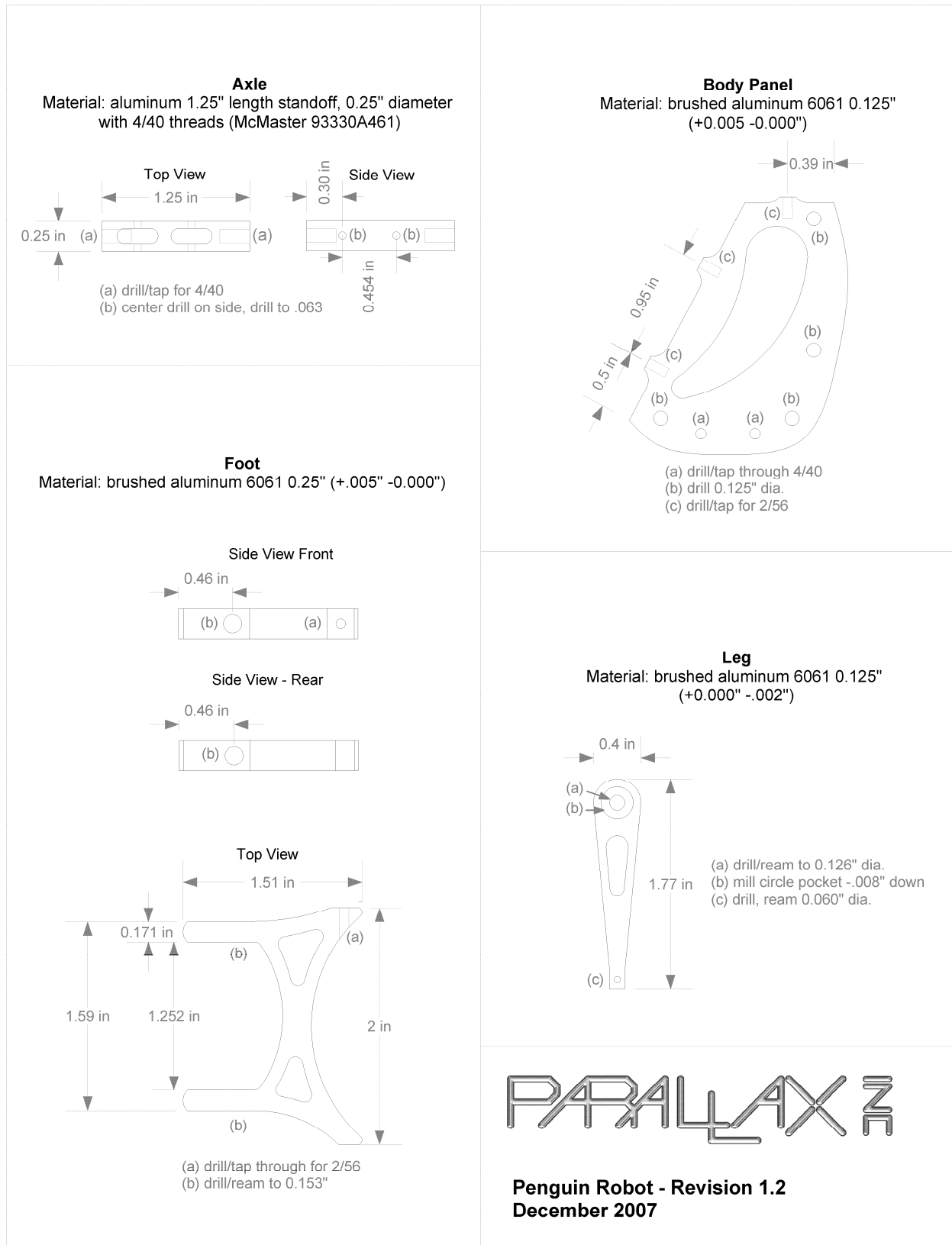
1.4. BILL OF MATERIALS

Part #	Description	Quantity
Penguin Body Kit		
720-27313	Red Anodized Penguin	1
720-27314	Blue Anodized Penguin	1
720-27315	Clear Anodized Penguin	1
720-27316	Black Anodized Penguin	1
Each of the above includes:		
--	Body panels	2
--	Leg pairs attached to ankle	2
--	Feet	2
--	4-40 5/8" long standoffs, with machined flat space	4
Penguin Hardware Package		
720-00013	Stride linkage	1
720-00015	2-56 threaded rod 2.5" long	2
710-00013	4-40 1/8" long, 0.149" diameter stainless steel shoulder screw	4
710-00010	4-40 1/8" long, 1/8" diameter stainless steel shoulder screw	4
710-00011	4-40 1/4" button socket cap stainless steel screw	12
710-00012	2-56 1/4" button socket cap stainless steel screw	2
710-00014	2-56 1/4" flathead stainless steel screws	4
725-00016	2-56 ball links for 2-56 threaded rod	2
725-00062	1/16" hex key	1
725-00063	0.05" hex key	1
725-00064	5/64" hex key	1
725-00067	1.5 mm hex key	1
725-00018	1/16" ball links for 2-56 threaded rod	2
Electronics		
555-27313	Penguin BS2px printed circuit board	1
Each of the above includes:		
--	BS2px24 circuit board	1
--	Flat white ribbon cable to connect the boards	1
--	Power pack board	1
Miscellaneous		
700-00064	Parallax dual-head screwdriver	1
752-00003	CR123 Batteries	2
805-00010	USB A to Mini B programming cable	1
900-00014	Grand Wing Naro standard servo	2
700-00063	Drill bit, #55	1



Missing parts? Your Penguin experience should be nothing short of complete success and satisfaction. If you encounter a missing part contact us immediately and we'll put it in the mail for you. The best way to do this is by e-mail to sales@parallax.com, or you can call us at (888) 512-1024.

1.5. BODY KIT MECHANICAL DRAWINGS



2.0 ASSEMBLY

2.1. TOOLS REQUIRED

The Penguin kit includes a portion of the tools required to build the robot (the hex keys, drill bit, and screwdriver). You will need to provide these additional tools to finish assembly, which are not included in the kit:

- Small pliers
- Ruler or calipers
- Handheld drill, small drill press, or a vise
- Small adjustable crescent wrench (or 3/16" socket)
- Safety glasses



Safety first! Taking basic safety precautions is absolutely necessary when building a Penguin. The assembly process includes several steps where you will be exposed to danger. You will be using a sharp drill bit to enlarge a tiny hole, and tiny pieces may fly. You will be pressing ball joints together, where a small slip can puncture your skin. These dangers are minimized by wearing safety glasses and using the right tools for the job.

2.2. ASSEMBLY INSTRUCTIONS

Step 1: Attach standoffs to servos

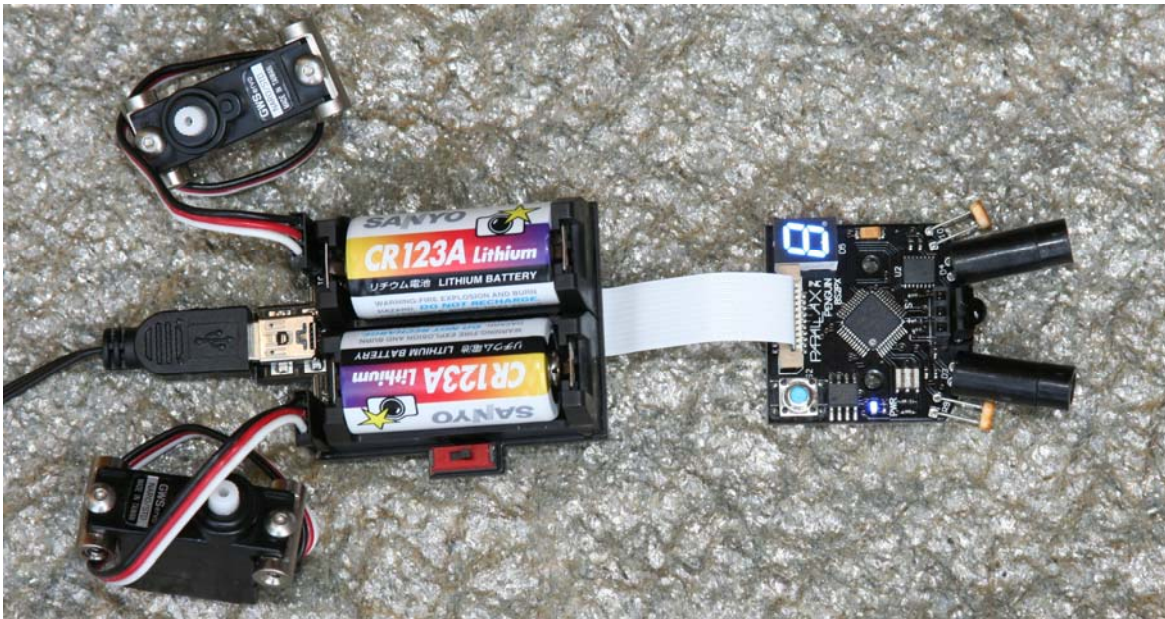
Connect (4) of the 4-40 1/4" button socket cap stainless steel screws to the middle of the 5/8" 4-40 standoffs. The standoffs have a machined flat space in the middle against which the servo tab will be seated when the screw is tightened. Press the standoffs against the servo body when tightening the screws. This will ensure proper spacing when the servos are mounted in the Penguin body panels.



Step 2: Center the servos using the BASIC Stamp Editor

This step centers the servos, so that further mechanical tuning will be minimized once the Penguin is assembled. It also ensures that you won't need to take the Penguin apart once you start programming it. The servos need to be centered with a 1.5 ms pulse, following the directions below:

- a. Connect the Penguin boards together using the flat ribbon cable, as pictured. For boards with a "REV B" label near the 7-segment display, the blue-tipped side of the cable faces toward the Parallax logo. Otherwise, the blue-tipped side of the cable faces away from the Parallax logo.
- b. Insert two (2) CR123A batteries into the power pack. A line drawing on the inside of the battery holder shows how the batteries are oriented. (Orientation may differ from picture shown.)
- c. Plug two servos into the bottom of the power pack, being careful to orient them correctly. From the perspective of this photo, the servo's white leads are on the bottom, or the right side of each servo connector as viewed behind the Penguin.
- d. Download and install the BASIC Stamp Editor and FTDI USB VCP drivers software if you have not done so already.
- e. Plug the mini USB cable into the power pack.
- f. Plug the other end of the USB cable into your PC.
- g. Turn on power to the board (slide the switch toward the ribbon cable).
- h. Open the BASIC Stamp Windows Editor and run the Penguin-CenterServos.bpx program.
- i. The servos are now centered. Disconnect the servos first, and then remove the batteries and USB cable from the power pack board.



```
' Parallax Penguin Robot
' Penguin-CenterServos.bpx
' {$STAMP BS2px}
' {$PBASIC 2.5}

Center          CON      1875      ' Centered servo pulse
StrideServo     PIN       6
TiltServo       PIN       7

DO
  PULSOUT StrideServo, Center      ' Center stride servo (J1)
  PULSOUT TiltServo,   Center      ' Center tilt servo (J2)
  PAUSE 15
LOOP
```

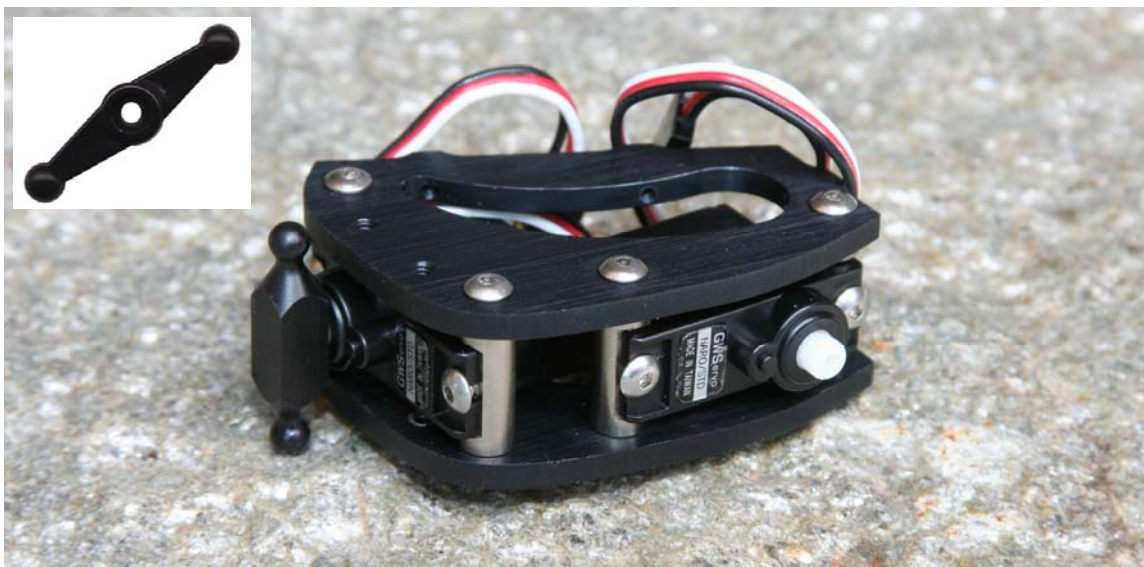
Step 3: Assemble the Penguin body

Install the servos into the Penguin body using (8) 4-40 1/4" long button socket cap stainless steel screws and the 1/16" hex key. The picture shows how the servo splines are oriented: the stride (bottom) servo spline is near the rear of the Penguin; the tilt (top) servo spline is near the top of the Penguin. Tighten the screws.



Step 4: Install stride linkage on the stride servo

Locate the small black plastic stride linkage with two ball-shaped ends. (This part has changed: the style shown on the left is included in your kit. The previous style is shown in all the photographs.) The stride linkage has a recess in the reverse shape of the servo spline. Press it onto the servo so that it is as close to cross-wise to the Penguin body as possible; it may not be perfectly perpendicular because the spline is toothed. For fine-tuning, this can be corrected with calibration-in-software using sample code available for free download from the Penguin product page. Secure the stride linkage to the spline with the servo screw.



Step 5: Attach legs and ankles to body

The Penguin's legs and ankles come pre-assembled since they required a specialized tool to properly insert small dowel pins through the round ankle. Each Penguin has a pair of left and right legs. Also notice that there's a round machined recess with a diameter slightly larger than the shoulder screw head on each pair of legs. The recess faces out towards the shoulder screw, and the shortest part of the ankle faces forward. Shoulder screws have a 1/8" diameter smooth stainless steel surface upon which the legs will rock back and forth.

To install the leg assemblies on the Penguin, use the (4) 4-40 1/8" long shoulder screws and the 5/64" hex key. The ball-shaped ends of the stride linkage fit within the matching oval cutout in the rear legs.

The legs should move freely when assembled, and you will hear the stride servo's gears moving at the same time. If it takes force to move the legs you have one of two problems: either the metal parts have bound, or the screws are too tight into the body panels. Tighten everything enough to remove "slop" but not so tight that parts are unable to move freely.



Step 6: Mount Penguin feet to the ankles

The Penguin kit has (4) 4-40 1/4" long, 0.149" diameter stainless shoulder screws which are used to attach the feet to the ankles. The head of these screws provides a bearing surface for the ankle so it may rotate freely within the foot when Penguin leans from side to side.

Each foot has an additional 2-56 threaded hole where the Penguin's ball joints mount for the threaded rod which connects to the tilt servo (the ski poles). These threaded holes denote the front of the foot.

Carefully drop the ankles into the foot. This is a close-tolerance fit; the ankle will only fit into the foot if it is inserted squarely. Next, use the 1.5 mm hex key to tighten the 4-40 long 0.149" diameter stainless steel shoulder screws into the ankle.

The Penguin will now stand up without assistance.



Step 7: Screw 2-56 ball links into feet

The Penguin kit contains two different sizes of ball links. The 2-56 threaded ball links are used in this step (the 1/16" ball links are used in a subsequent step). Open the package and thread the 2-56 ball link post into the front of each foot. You can tighten them using a 3/16" socket or small wrench. Be careful not to scratch the feet as you tighten the ball links. The threaded portion of the ball link will not screw all the way into the foot because it has a small non-threaded portion between the threads and the hex-shaped post. Don't force it beyond the point at which the ball link is easily screwed into the foot.



Step 8: Attach plastic ball sockets to 2-56 threaded rod

Now you're ready to thread the four (4) plastic ball sockets onto each end of the 2-56 threaded rod. Twist both ends on evenly until the rod length is about 3.4" long. If this is too difficult to do with your hands, consider carefully holding the threaded rod with pliers. Use a small rag to prevent it from being scratched.



Step 9: Drill a 1/16" hole in the servo horn

Each servo package includes an assortment of servo horns. We'll use the widest servo horn in this step. If you make a mistake it's okay because there's a second one in the other servo package.

Put on your safety goggles. Place the #55 drill bit in your handheld drill, drill press, or vise. Very carefully enlarge the two outermost holes on the servo horn. If you are using a drill, run it very slowly to prevent it from feeding into the hole too quickly. If you run it too fast the drill will plunge into the plastic and you'll crack the servo horn. Take your time and use a low drill speed. If you have secured the drill bit in a vise, gently twist the servo horn onto the bit to enlarge the hole. Do not press down, and be careful not to injure your hands.



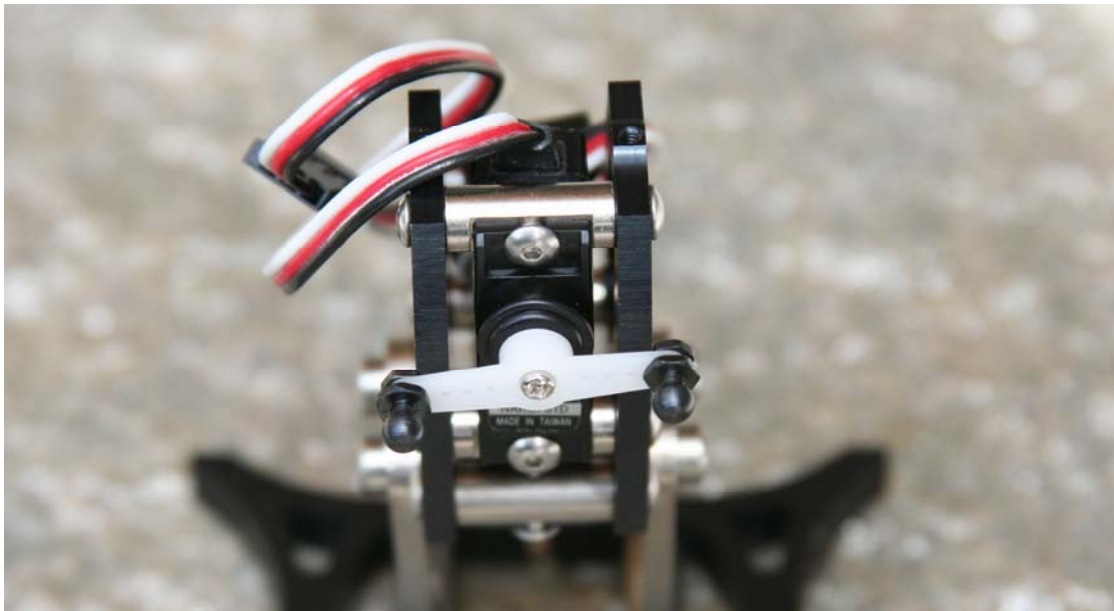
Step 10: Connect the 1/16" ball links to the servo horn

Install the two 1/16" ball links on the servo horn. Tighten carefully but don't deform the plastic.



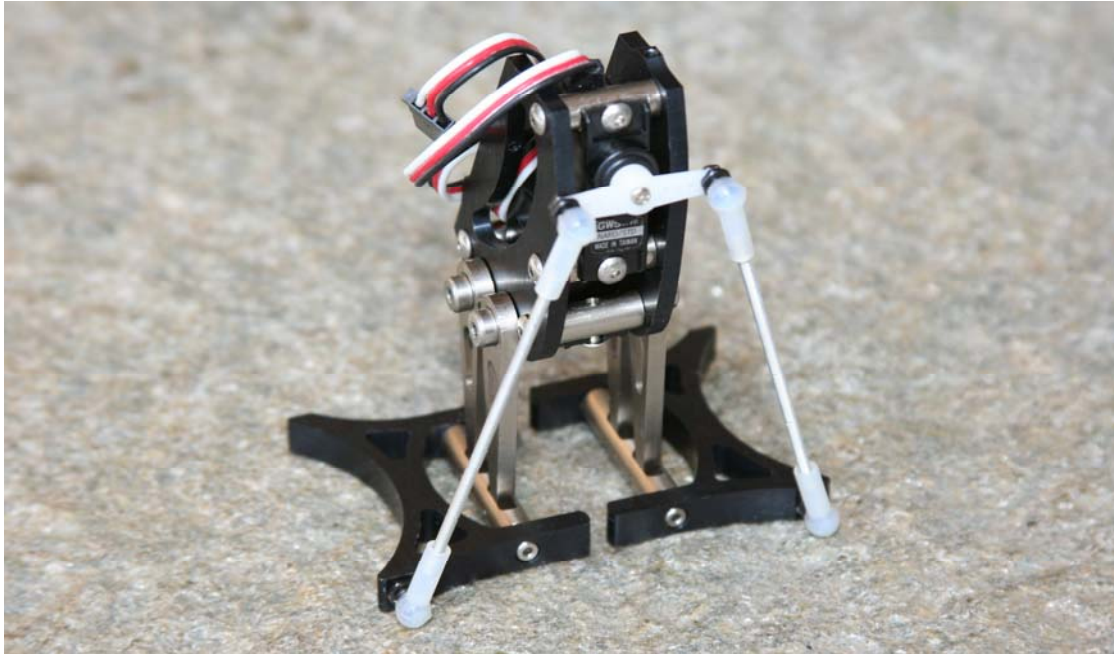
Step 11: Attach the servo horn to the tilt servo

Press the assembled servo horn onto the tilt servo, positioning it cross-wise to the Penguin body. Do not over-tighten the screw; you may need to take off the horn and re-center the servo if it gets moved during the next step.



Step 12: Connect the tilt servo horn and feet with the threaded rods

Now you're ready to snap the two threaded rods onto the front of the Penguin. The ball joints can be snapped onto the feet by hand. Attaching them to the servo horn ball joints is a bit more difficult. For this you can use a small pair of pliers. Place one jaw of the pliers behind the ball link's post, and the other on the outside of the plastic ball socket. Future adjustments can be made quite easily by disconnecting the ball link socket from the feet only. To disconnect them, use a small screwdriver as a lever against the foot. Cover the foot with a cloth to prevent scratching.



Bad Penguin Posture? You may have rotated the tilt servo off-center while attaching the linkages. If the servos are centered, the Penguin will have its feet close together and will be standing straight up, and the tilt servo horn will be horizontal. If the tilt servo is not horizontal, remove the screw and very gently pull the horn off of the spline. Re-run Penguin-CenterServos.bpx, which should bring the feet together. Replace the horn on the spline, and replace the screw.

Step 13: Attach BASIC Stamp 2px24 board to the Penguin body

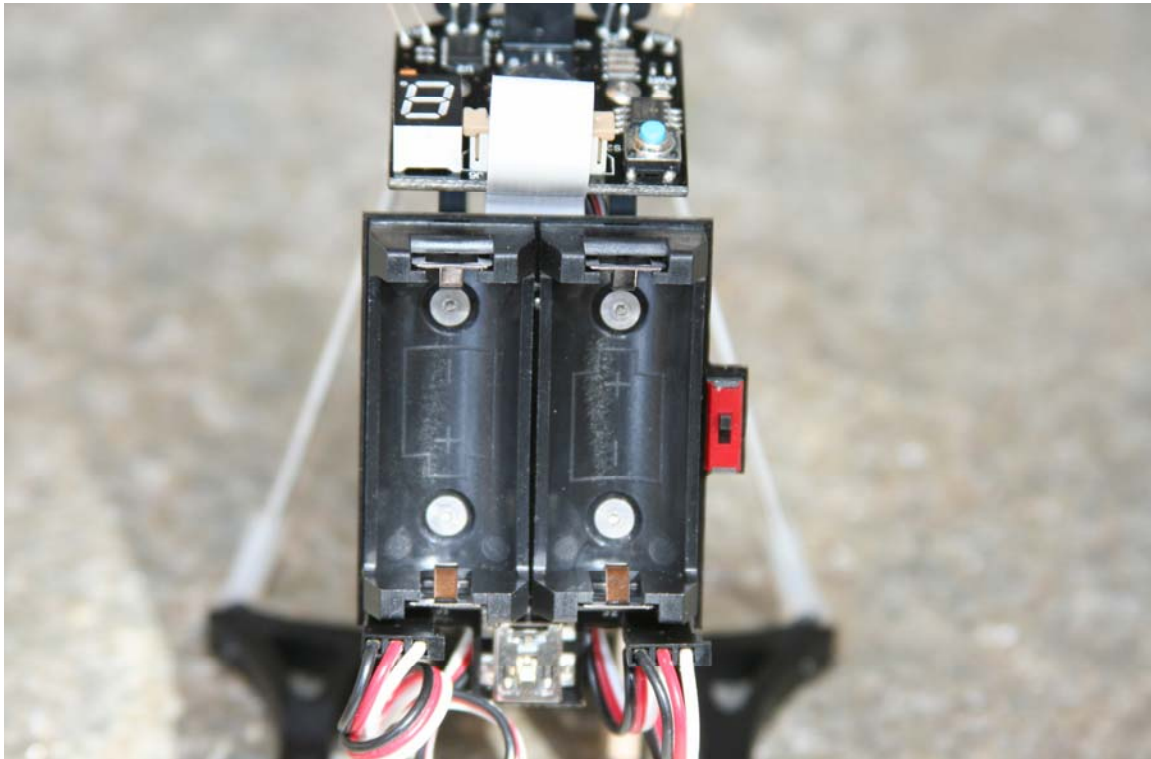
The Penguin's top board contains the BASIC Stamp 2px24 circuitry. It is mounted on the top of the Penguin using (2) 2-56 1/4" button socket cap stainless steel screws and the 0.050" hex key. You'll need to fold the tilt servo's wire over to tighten the board against the top of the Penguin.



Step 14: Attach Power Pack board to the Penguin body

The Penguin's power pack board is installed using (4) 2-56 ¼" long flathead screws and the 0.050" hex key. When you mount this board be sure that the servo wires are not preventing it from properly seating into position.

Plug the servos back in. Connect the stride servo to J1 and the tilt servo to J2; make sure the white leads are on the right, as shown in the photo.



Step 15: Install batteries and tidy servo wires

Install (2) CR123 batteries into the Penguin's power pack. The batteries will be oriented in the same direction; refer to the pictorial molded into the bottom of the battery holder's plastic surface. Coil up the servo wires behind the robot. It's also possible to hide them in the Penguin's body, but that requires substantial attention to detail considering the lack of free space.







Step 16: Penguin is finished

Congratulations. Your Penguin is complete and ready for programming!



2.3. MECHANICAL TROUBLESHOOTING GUIDE

The Penguin is made from CNC-machined aluminum, molded plastic, screw-machine shoulder bolts, and a variety of electronic components from different factories. There's always the possibility that something will go wrong and parts will bind or move with limited freedom – it's nearly impossible to test every single sub-assembly. For example, tolerances on the shoulder screws and plastic sockets can vary from batch to batch or a shoulder screw bolt could have a slightly larger diameter shaft. It is imperative that your Penguin operate smoothly and without friction to be an effective walker. Contact us if you have any problems. Below are examples of common Penguin assembly difficulties and solutions to them.

Problem	Explanation	Picture
<p>Ball link sockets are tight or binding.</p>	<p>The ball link sockets are molded parts and they may vary in tolerance, though we've chosen a supplier that offers a consistent product. The socket and ball should move freely without any friction when assembled. If you need to loosen up tight-fitting ball links:</p> <p>(a) Use an X-Acto knife to remove any plastic burrs inside the plastic socket. (b) Add a drop of oil into the socket. (c) Reassemble the ball links and check for friction.</p>	
<p>Legs move too much from left to right.</p>	<p>Pressing the left and right legs together should create no more than 1/8" to 1/4" of movement (or "slop" as it is called by a machinist). If a particular leg seems to have too much side-to-side play, you can fix this by tightening the shoulder screw down another 1/4 turn. If the problem persists, you can gently chamfer the threaded body panel with a drill to sink the shoulder screw further into the body. Be careful if you choose this option because you can remove too much metal and the leg will tighten against the body!</p>	
<p>Ankles are too tight within the feet.</p>	<p>The ankles are the 1/4" long by 1/4" diameter round standoffs with two channels machined between. The legs are pinned in these channels. If the round ankle binds inside the foot, slightly shorten the ankle by rubbing the end of it on a piece of sandpaper. Insert the leg assembly back into the foot and check the fit.</p>	
<p>Legs are too tight against the body.</p>	<p>The correct adjustment for the legs depends on the shoulder screws being tightened gently. If the leg is binding against the body, back off the shoulder screws so it can move. Use a dab of Loc-Tite on the threads of the shoulder screw so it stays screwed into position in the body panel.</p>	

3.0 PROGRAMMING THE PENGUIN

3.1. PROGRAMMING CONCEPT

Programming the Penguin to walk is a matter of shifting its center of gravity from side to side with the tilt servo, coordinated with moving the legs forward and backward with the stride servo. The BS2px24's high speed and expanded memory and RAM are useful for storing motion sequences and for performing the computations needed in sensor-based autonomous navigation.



Close the Debug Terminal before downloading a new program, disconnecting the USB cable, or switching off the power to your tethered Penguin! If you fail to close the Debug Terminal before any of these actions, the port may hang up and the BASIC Stamp Editor may freeze when you next try to program your Penguin. If this happens, close the Editor with the Task Manager. Be sure to download the latest version of the BASIC Stamp Editor from www.parallax.com.

3.2. SERVO CALIBRATION

The Penguins servos must be calibrated before the Penguin can walk. This is a crucial step and the Penguin will not walk without it.

- 1) Run Penguin-ServoCalibration.bpx.
- 2) Click in the white Transmit area at the top of the Debug Terminal.
- 3) Press **Enter** to enable the servos.
- 4) Press **+** and **-** to adjust the tilt servo until the Penguin can stand level.
- 5) Press the space bar to switch to the stride servo.
- 6) Press **+** and **-** to adjust the stride servo until the Penguin's feet are in line with each other.
- 7) Press **S** to save the new settings.
- 8) Listen for the long beep to ensure that the settings were saved.

Tip: Pressing 1 through 5 changes the coarseness of the adjustments

3.3. PENGUIN'S BASIC STAMP 2PX24 PINOUT

I/O Pin	Description	Direction
P0	Photoresistor – right	Output
P1	Photoresistor – left	Output
P2	Infrared emitter – right	Output
P3	Infrared emitter – left	Output
P4	Infrared receiver	Input
P5	Front I/O expansion port	Input/Output
P6	Servo stride	Output
P7	Servo tilt	Output
P8	7-segment LED clock	Output
P9	7-segment LED data	Output
P10	7-segment LED latch	Output
P11	Rear I/O expansion port	Input/Output
P12	Speaker	Output
P13	Hitachi HM55B Compass – CLK (clock)	Output
P14	Hitachi HM55B Compass – CS (chip select)	Output
P15	Hitachi HM55B Compass – DIN/DOUT (data in/out)	Input/Output

3.4. EXAMPLE PROGRAMS

Download the following test programs from the Penguin product page at www.parallax.com and test that each Penguin subsystem is working properly. Complete code listings are also included in this document.

- Penguin-CenterServos.bpx, page 6
- Penguin-SpeakerTest.bpx, page 20
- Penguin-IRTest.bpx, page 21
- Penguin-7SegmentLEDTest-v1.3.bpx, page 21
- Penguin-PhotoresistorTest.bpx, page 20
- Penguin-CompassTest.bpx, page 22

Once you are familiar with the I/O capabilities of the Penguin, the following programs can be used to demonstrate all of the Penguin's abilities. Download from the Penguin product page at www.parallax.com.

- Penguin-AutonomousNavigation.bpx
- Penguin-MigrateNorth.bpx

3.5. OPTIONAL COMPASS CALIBRATION

To improve the accuracy of the compass, the calibration routines for the Hitachi HM55B Compass Module have been ported to the Penguin. With the calibrated compass routines added to the Penguin's control code, extra RAM and code space is required. Separate versions of the following programs have been created to allow for either more available resources or a more accurate compass.

Original Code	Code Incorporating a Calibrated Compass
Penguin-CompassTest.bpx	Penguin-CalibratedCompassTest.bpx
Penguin-AutonomousNavigation.bpx	Penguin-AutonomousNavigation-CalibratedCompass.bpx
Penguin-MigrateNorth.bpx	Penguin-MigrateNorth-CalibratedCompass.bpx

Before the calibrated compass routines can be used, Penguin-CompassCalibration.bpx must be run to record the compass calibration data. For more information about compass calibration, please read the product documentation and the associated code available from the #29123 product page at www.parallax.com.

3.6. OTHER HELPFUL DOCUMENTATION

The following materials are helpful documents for programming the Penguin; each can be downloaded from its associated product page:

- BASIC Stamp PBASIC Syntax Guide (on-line version of help file installed with the BASIC Stamp Windows Editor)
- HM55B Compass Documentation (#29123)
- HM55B Graphical Viewer for the HM55B (#29123)
- Smart Sensors and Applications (a Stamps in Class Text) (#28029)
- IR Remote for the Boe-Bot Text (a Stamps in Class Text) (#70016)
- Ping))) Ultrasonic Sensor Documentation (#28014)

3.7. TEST CODE LISTINGS

```
' Parallax Penguin Robot
' Penguin-SpeakerTest.bpx

' {$STAMP BS2px}
' {$PBASIC 2.5}

Speaker          PIN      12

i                VAR      Byte
Freq            VAR      Word

'Inverse of 12th root of 2 multiplied by 65536
'Used to divide by one semitone in a 12 note octave
Scale           CON      61858

Freq = 659
FOR i = 1 TO 12
  FREQOUT Speaker, 600, Freq
  Freq = Freq ** Scale
NEXT
' Frequency of an E5
' 12 semitones = 1 octave
' Play the frequency
' lower frequency by 1 octave
```

```
' Parallax Penguin Robot
' Penguin-PhotoresistorTest.bpx

' {$STAMP BS2px}
' {$PBASIC 2.5}

RLDRPin         PIN      0
LLDRPin         PIN      1

LeftLDR         VAR      Word
RightLDR        VAR      Word

DEBUG CLS
DEBUG "Photoresistor sensor status:", CR,
      "Left:", CRSRXY, 15, 1, "Right:"

DO
  GOSUB READLDR
  DEBUG CRSRXY, 6, 1, DEC LeftLDR, " "
  DEBUG CRSRXY, 22, 1, DEC RightLDR, " "
  PAUSE 150
LOOP

ReadLDR:
  RCTIME LLDRPin, 1, LeftLDR
  HIGH RLDRPin
  RCTIME RLDRPin, 1, RightLDR
  HIGH LLDRPin
RETURN
' Prepare debug screen
' Update debug screen with
' status of photoresistors
' Read R/C time for each
' photoresistor then recharge
' their capacitors
```

```

' Parallax Penguin Robot
' Penguin-IRTest.bpx

' {$STAMP BS2px}
' {$PBASIC 2.5}

REmitter      CON      2
LEmitter      CON      3
IrInput       VAR      IN4
LeftIr        VAR      Bit
RightIr       VAR      Bit

DEBUG CLS                                ' Prepare debug screen
DEBUG "Infrared sensor status:", CR,
      "Left:", CRSRXY, 15, 1, "Right:"
DO
  GOSUB ReadIr                            ' Update debug screen with
  DEBUG CRSRXY, 6, 1, DEC LeftIr          ' status of IR sensors
  DEBUG CRSRXY, 22, 1, DEC RightIr
  PAUSE 150
LOOP

ReadIr:
  FREQOUT LEmitter,1,6300                 ' Modulate emitters at 38KHz
  LeftIr = ~IrInput                      ' and check for reflections
  FREQOUT REmitter,1,6300
  RightIr = ~IrInput
RETURN

```

```

' Parallax Penguin Robot
' Penguin-7SegmentLEDTest-v1.3.bpx

' {$STAMP BS2px}
' {$PBASIC 2.5}

' Rev A. boards use the OUTC port to control a 74LS47 BCD to 7-segment decoder
LEDDisplay    VAR      OUTC              ' The LED display mirrors OUTC

' Rev. B boards use a 74HC595 shift register to individually set and clear LEDs
LED_CLK       PIN      8                ' LED's shift register clock pin
LED_DATA      PIN      9                ' LED's shift register data pin
LED_LATCH     PIN      10               ' LED's shift register latch pin

ShiftData     VAR      Byte
Index         VAR      Nib

DIRC = %1111                                ' Set all used I/O pins as outputs

DO
  FOR Index = 0 TO 9                        ' Loop numbers 0-9 on the display
    ' For Rev. B PCBs, send data to the shift register
    READ Index, ShiftData
    SHIFTOUT LED_DATA, LED_CLK, LSBFIRST, [ShiftData]
    LED_LATCH = 0                          ' Then create a falling edge
    LED_LATCH = 1                          ' To latch the data to the LEDs
    ' For Rev. A PCBs, set the 74LS47 in parallel through OUTC
    LEDDisplay = Index
    PAUSE 750                              ' Wait 3/4 of a second
  NEXT
LOOP

' Font for the Rev. B display
DATA $06, $CF, $A2, $C2, $4B, $52, $13, $CE, $02, $42

```

```

' Parallax Penguin Robot
' Penguin-CompassTest.bpx

' {$STAMP BS2px}
' {$PBASIC 2.5}

Compass      PIN      15      ' Transceives to/from Din/Dout
Clock        PIN      13      ' Sends pulses to HM55B's Clock
Enable       PIN      14      ' Controls HM55B's /Enable

Reset        CON      %0000   ' Reset command for HM55B
Measure      CON      %1000   ' Start measurement command
Report       CON      %1100   ' Get status/axis values command
Ready        CON      %1100   ' 11 -> Done, 00 -> no errors
NegMask      CON      %1111100000000000 ' For 11-bit negative to 16-bits

x            VAR      Word     ' x-axis data
y            VAR      Word     ' y-axis data
Heading      VAR      x        ' Store Heading measurement
status       VAR      x        ' Status flags

DEBUG CLS, "Heading:"

DO
  GOSUB ReadCompass
  DEBUG CR$RXY, 9, 0, DEC Heading, "° "
  PAUSE 150
LOOP

ReadCompass:
' Compass module subroutine
HIGH Enable ' Send reset command to HM55B
LOW Enable
SHIFTOUT Compass, Clock, MSBFIRST, [Reset\4]

HIGH Enable ' HM55B start measurement command
LOW Enable
SHIFTOUT Compass, Clock, MSBFIRST, [Measure\4]

status = 0 ' Clear previous status flags

DO ' Status flag checking loop
  HIGH Enable: LOW Enable ' Measurement status command
  SHIFTOUT Compass, Clock, MSBFIRST, [Report\4]
  SHIFTTIN Compass, Clock, MSBPOST, [Status\4]' Get Status
LOOP UNTIL status = Ready ' Exit loop when status is ready

SHIFTTIN Compass,Clock,MSBPOST,[x\11,y\11] ' Get x & y axis values
HIGH Enable ' Disable module

IF (y.BIT10 = 1) THEN y = y | NegMask ' Store 11-bits as signed word
IF (x.BIT10 = 1) THEN x = x | NegMask ' Repeat for other axis

Heading = x ATN -y ' Convert x and y to brads
Heading = Heading */ 360 ' Convert brads to degrees
RETURN

```

4.0 ELECTRONICS

4.1. CR123 BATTERIES

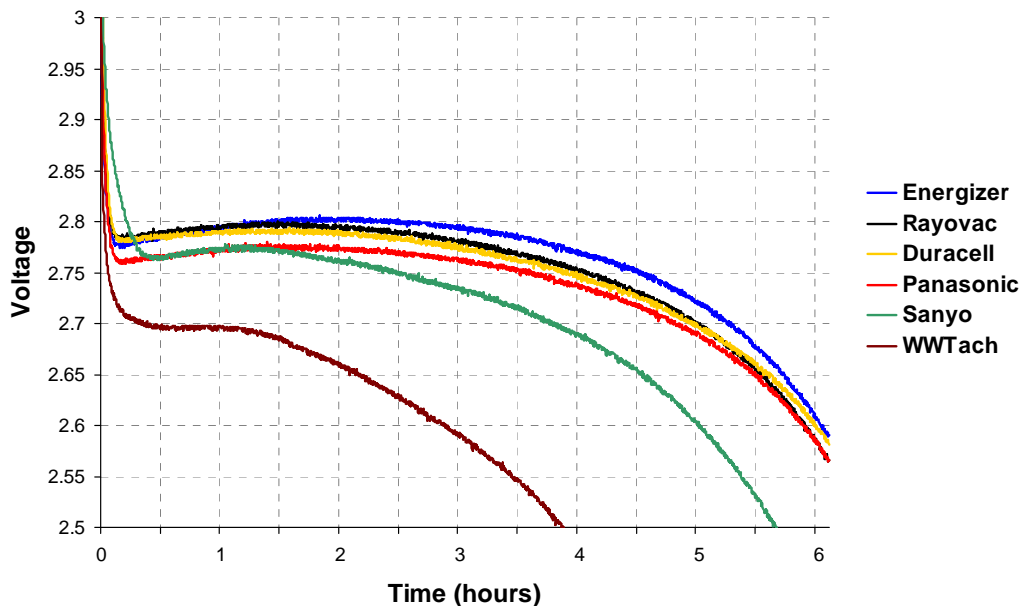
The Penguin uses CR123 batteries (sometimes also referred to as size "N"). Quality CR123 batteries provide up to one amp-hour of power. CR123 batteries are truly overpriced from readily available sources (drug stores, grocery stores). For example the Energizer and Duracell CR123s are priced around \$12.00 per pair.

Parallax has tested all major brands of CR123 batteries (summarized below) and we buy them in bulk. In our tests, we used a fixed current draw of 200 mA at 6V. We measured the time required for the battery voltage to drop below 2.75V. Surprisingly, the tests showed almost no correlation between cost and performance! The batteries we are selling (Rayovac and Panasonic) have approximately the same capacity as the more expensive ones and they're sold by Parallax at less than half the price of retail outlets! Don't be fooled into paying high prices for CR123 batteries. If you don't buy your CR123 batteries from Parallax then check eBay for the same brand we are selling (usually Rayovac or Panasonic). Pay no more than \$2-3 each. The Penguin's current draw during full operation is around about 150 mA. With two Rayovac CR123 batteries it should run for at least six to eight hours.

CR123 Manufacturer	Discharge time
Energizer	270 mins / 4.5 hours
Rayovac	240 mins / 4.0 hours
Duracell	225 mins / 3.8 hours
Panasonic	210 mins / 3.5 hours
Sanyo	150 mins / 2.5 hours
Chinese-label	5 mins / 0.1 hours

CR123 Battery Test with 200 mA Current Draw

Conducted by Tigerbotics and Parallax June 2007



4.2. SCHEMATIC

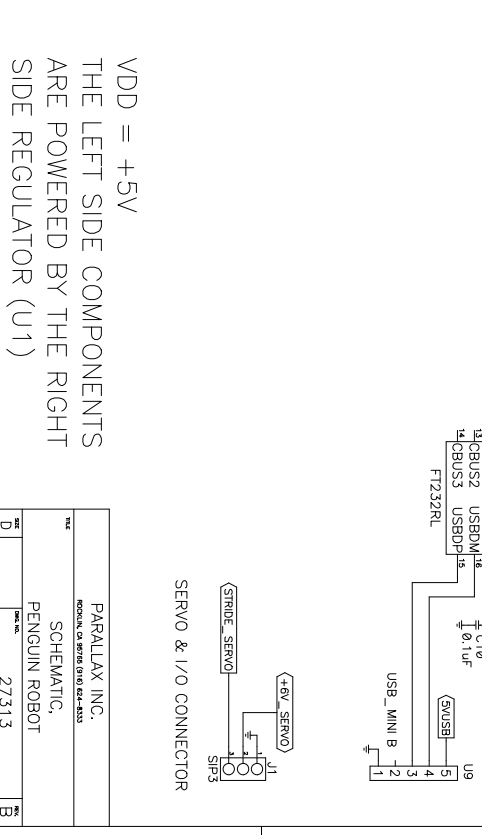
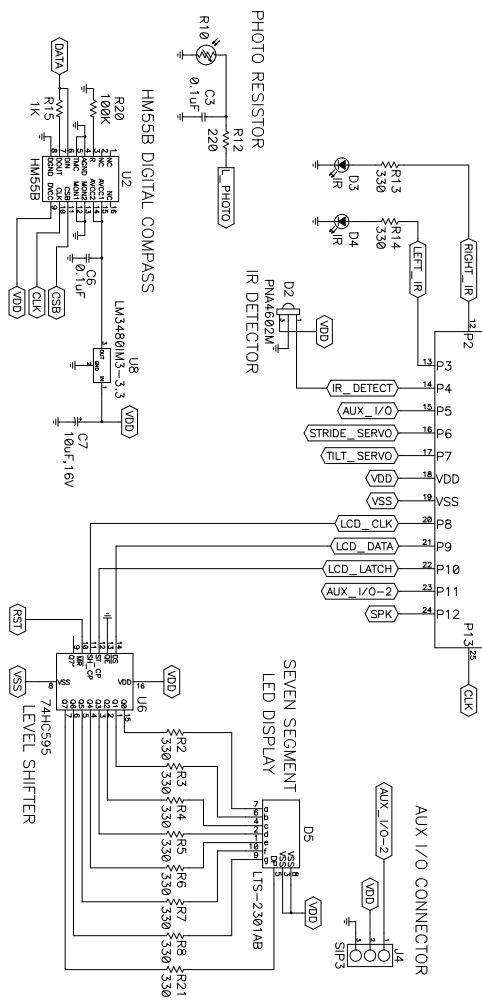
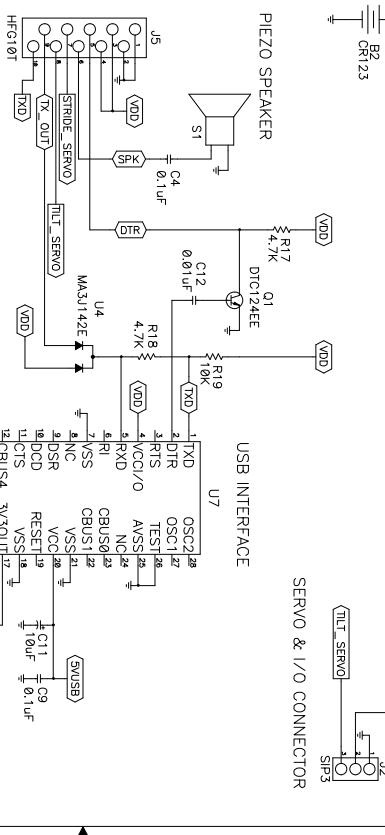
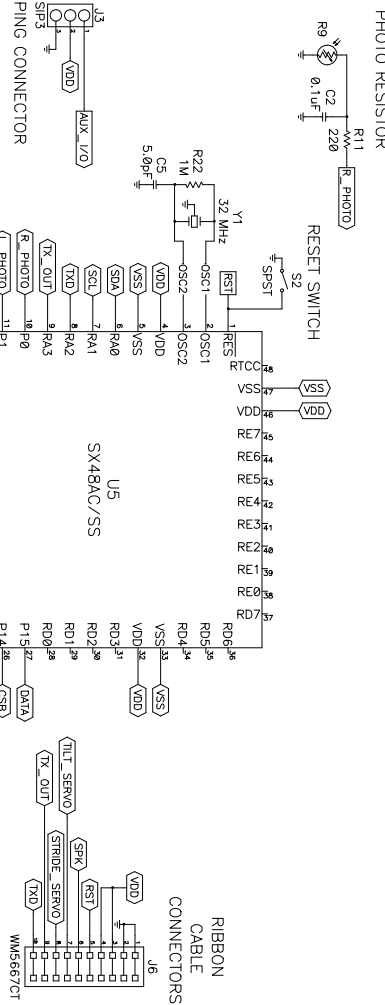
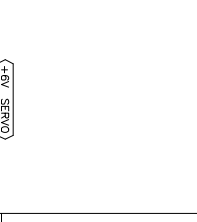
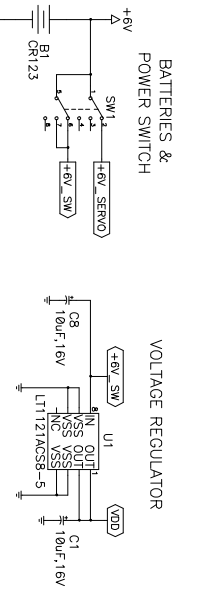
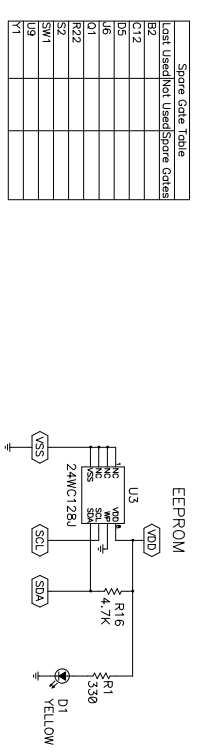
(Schematic PDF is appended, next page)

THE INFORMATION CONTAINED IN THIS DOCUMENT IS PROPRIETARY.
ANY REPRODUCTION IN WHOLE OR IN PART IS PROHIBITED.

- NOTES: UNLESS OTHERWISE SPECIFIED
1. ALL CAPACITOR VALUES ARE IN MICROFARADS.
2. ALL RESISTOR VALUES ARE IN OHMS.

PENGUIN ROBOT SCHEMATIC REV B

REV	BY	DATE
B	TB	03/02/2008



VDD = +5V
THE LEFT SIDE COMPONENTS
ARE POWERED BY THE RIGHT
SIDE REGULATOR (U1)

REV	DATE	BY
D		
C		
B		
A	27.31.3	